

1 **2** **3**

Spacing of tracks for 18 mm board

Installation of track

Screw SMART 2.5 x 18

Max. weight of 50 kg per door

Silicone stopper

Door filling: 16-50 mm board

Screws 1 and 2 should be fastened before door installation.

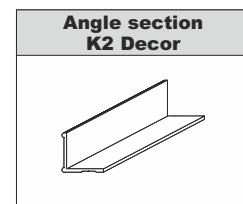
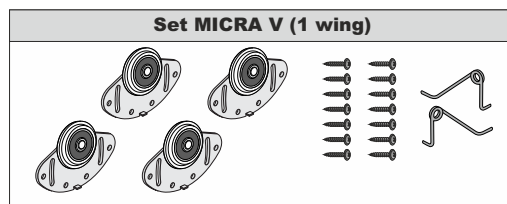
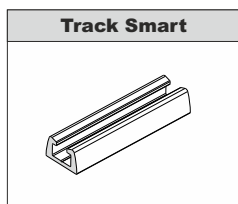
Screws 3, 4 and 5 should be fastened after door installation and regulation

Stopper HI-TEC

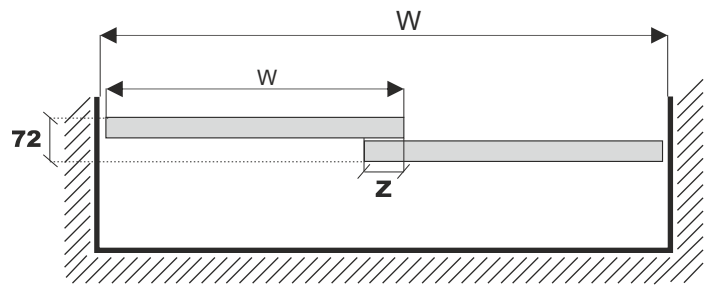
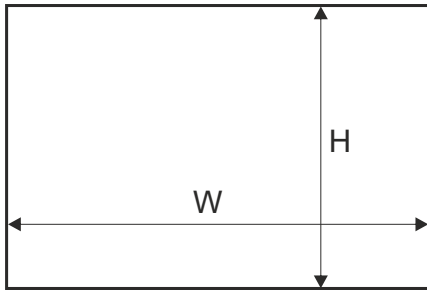
To install carriages, use our metal stencil (index 20384) or alternatively use a printable version available from www.sevroll.pl

ATTENTION!
With doors higher than 150 cm, we recommend the use of angle section K2 Decor for aesthetic reasons and in order to secure the door from dismounting.

COMPONENTS



Dimensions of opening



Door filling - #18 mm board

Door height	- h	$h = H - 13 \text{ mm}$
Board height (1 mm ABS edging)	- hb	$hb = h - 2 \text{ mm}$
Door width	- w	$w = (W + Z) : N$
Board width (1 mm ABS edging)	- wb	$wb = w - 2 \text{ mm}$

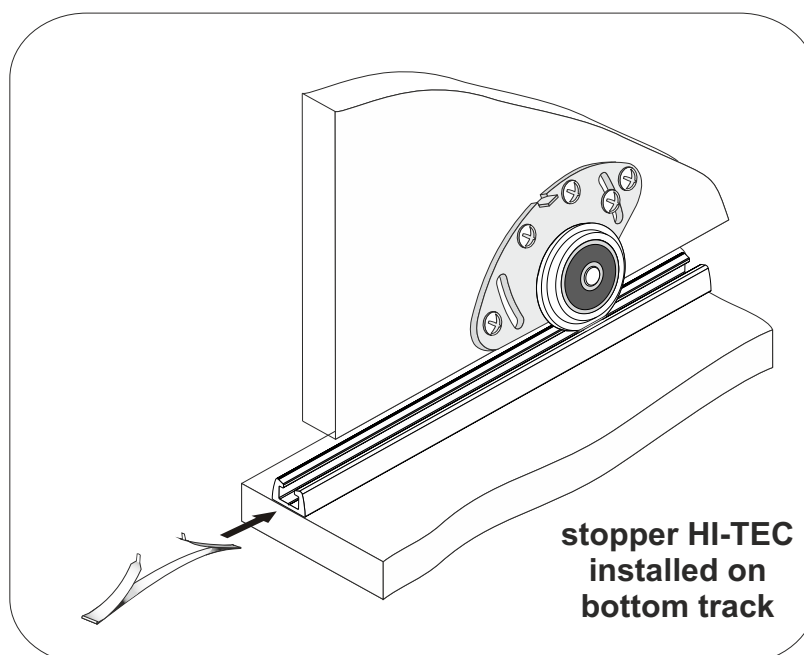
ATTENTION!
When cutting the board, you need to include the thickness of ABS edging. On our calculation 1 mm ABS edging was used.

Number of doors - N	2	3	4	5
Total overlap - Z	30 mm	60 mm	90 mm	120 mm

Visual design – 4 wings	
	$w = (W + 90) : 4$
	$w = (W : 2 + 30) : 2$

ATTENTION!
 System SMART can be used in conjunction with any of SEVROLL's handle profiles suitable for 18 mm fillings.

Installation of stopper HI-TEC



ATTENTION! Remove protective film from aluminium elements (handles, tracks, connectors, etc.) prior to cutting them to the desired size. Film removal will reveal quality issues (eg. scratches)