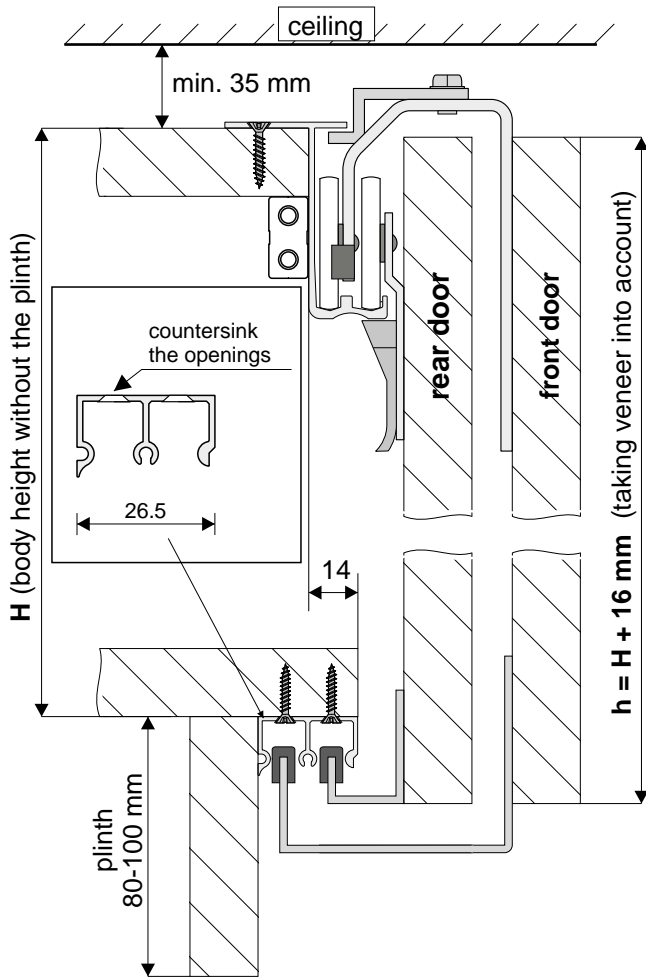




SYSTEM

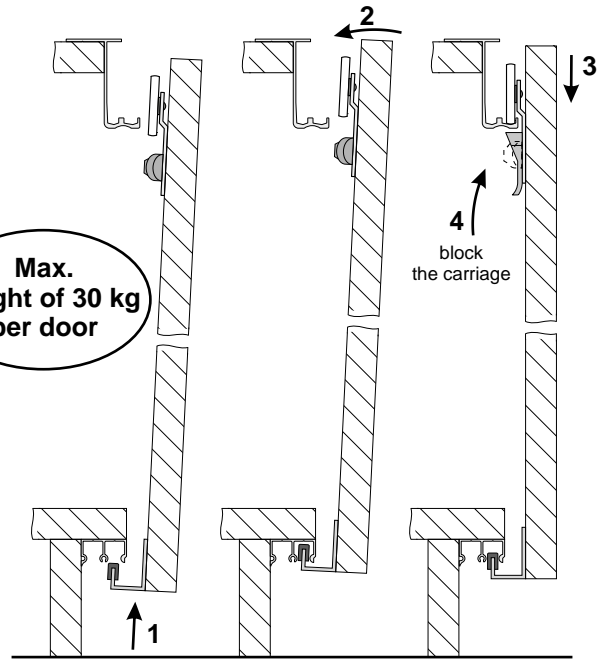
OPTIMA 18



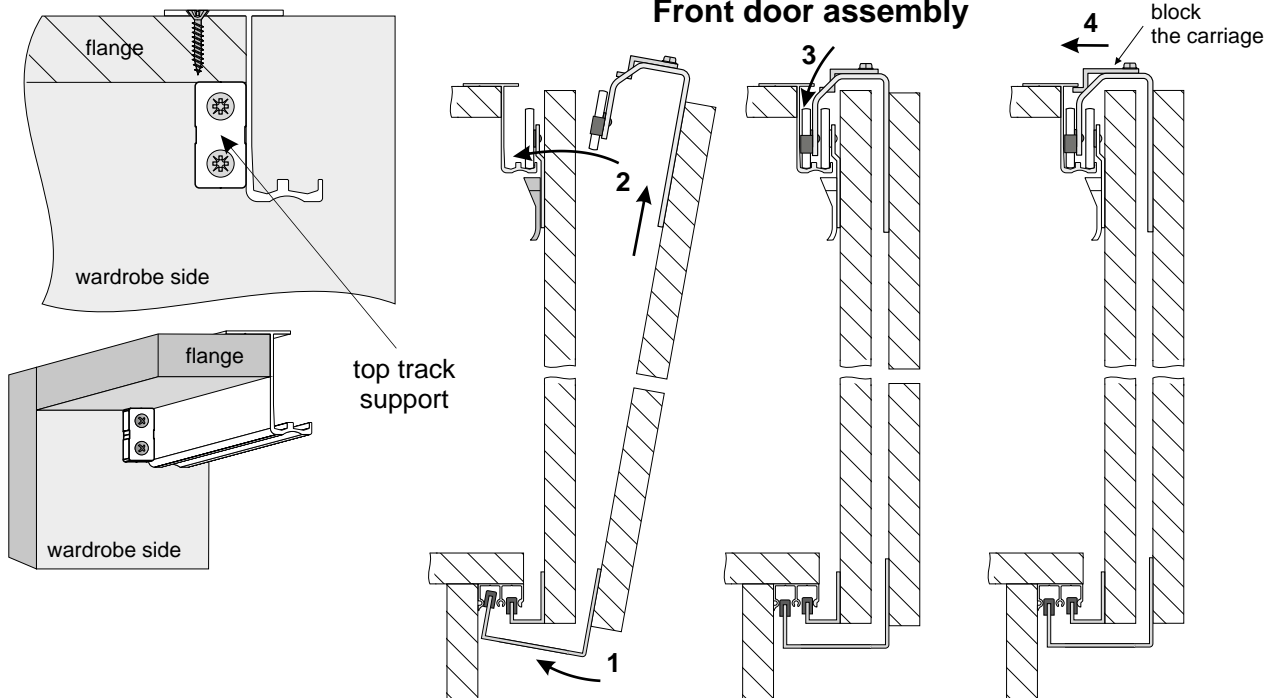
ATTENTION

Door height should be greater than body height (without the plinth) by exactly 16 mm.
 Top flange should be moved back by 14 mm in relation to the bottom flange and should be fastened firmly.
 Thickness of board: max. 20 mm.

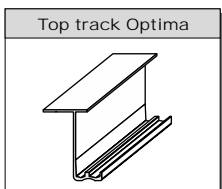
Rear door assembly



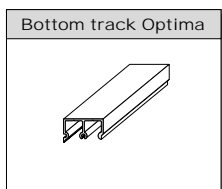
Front door assembly



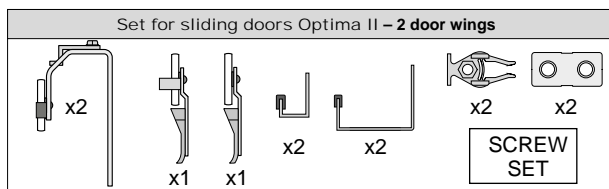
COMPONENTS



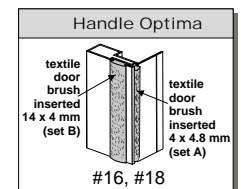
Length 2.00 m, 2.40 m



Length 2.0 m, 2.4 m



OPTION

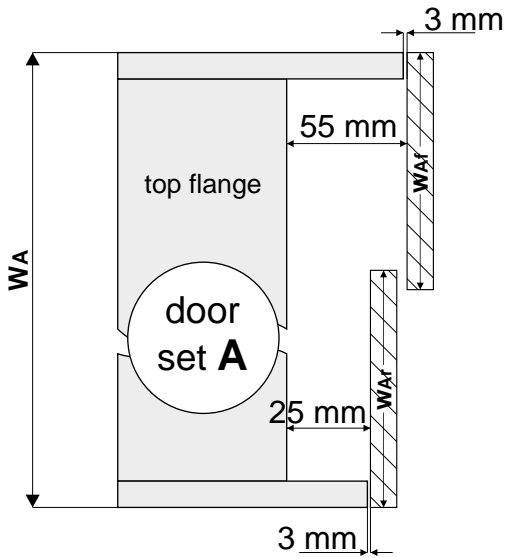


Length 2.4 m



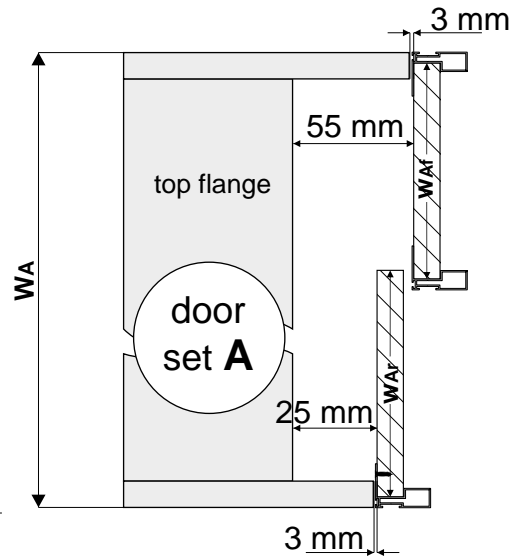
board width calculation

door without vertical profiles
(taking edging into account)



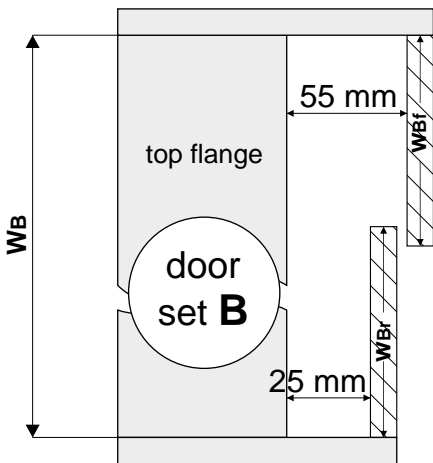
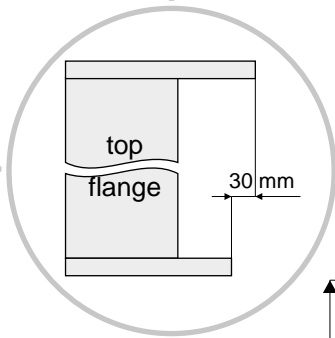
$$WAf = WAR = (WA + 20 \text{ mm}) : 2$$

door with vertical profiles (handles)
rear door - 1 handle
front door - 2 handles

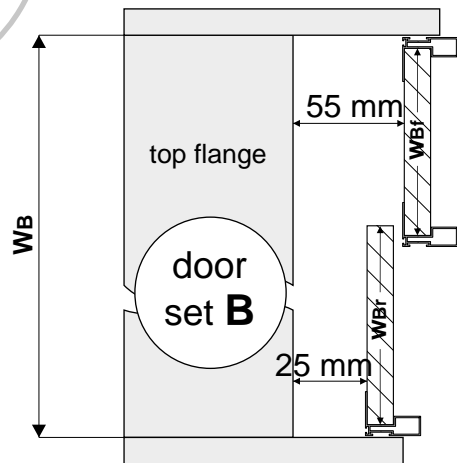


$$WAf = [(WA + 20 \text{ mm}) : 2] - 14$$

$$WAR = [(WA + 20 \text{ mm}) : 2] - 7$$

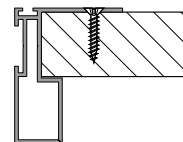


$$WBf = WBr = (WB + 20 \text{ mm}) : 2$$



$$WBf = [(WB + 20 \text{ mm}) : 2] - 14$$

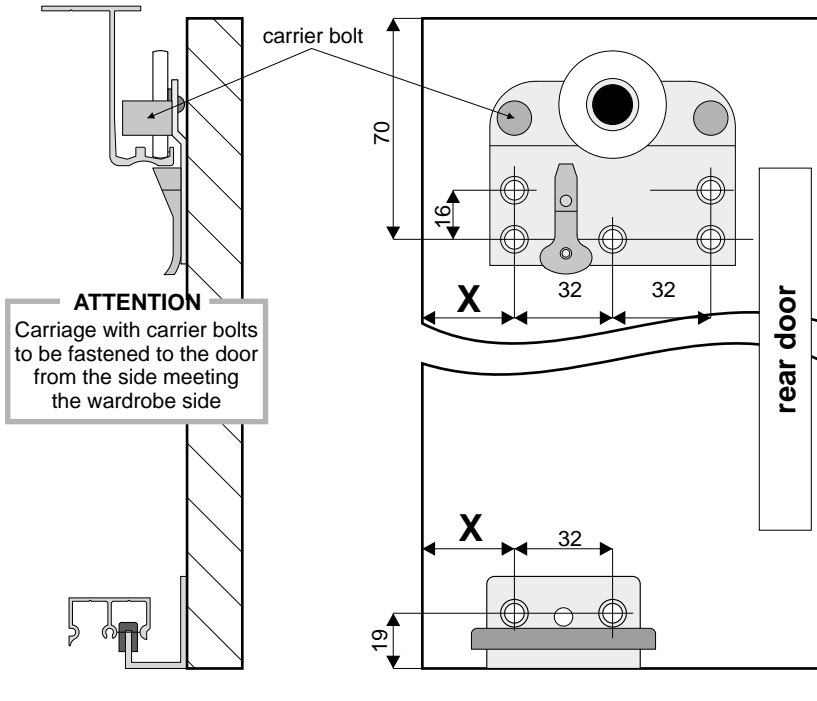
$$WBr = [(WB + 20 \text{ mm}) : 2] - 7$$



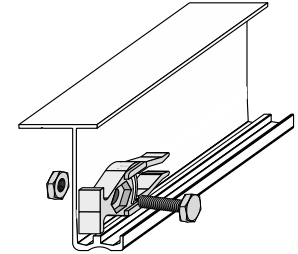
handle to be fastened with a minimum of 4 screws



Fastening of carriages and guides to the rear door

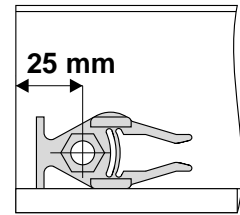


Fastening of stopper to the top track

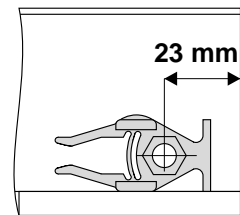


drill an opening in a track $\varnothing 6$

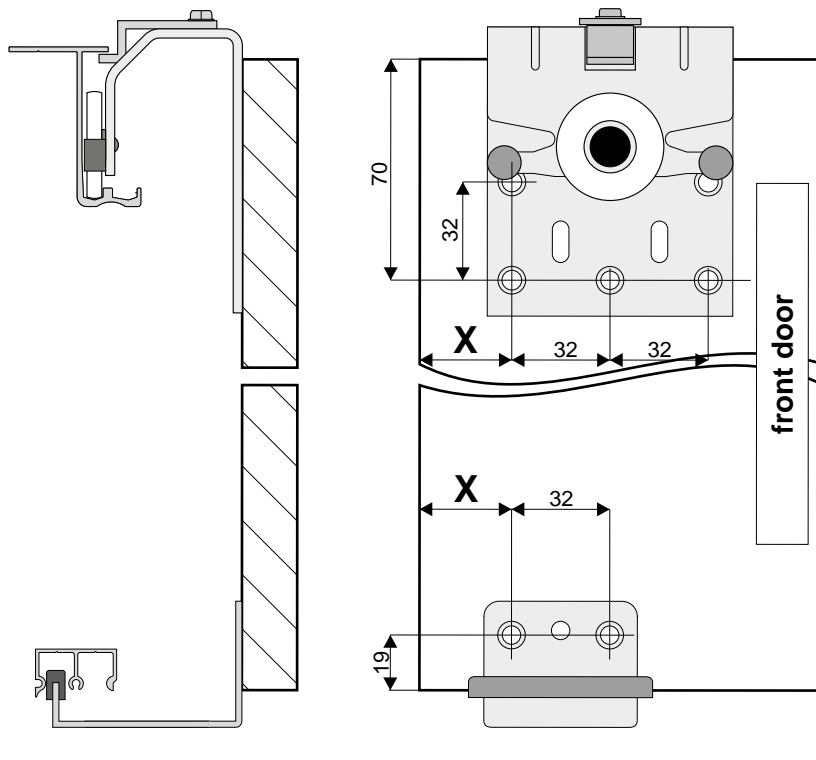
rear door (set A and B)
door without and
with vertical profiles (handles)



front door (set A and B)
door without and
with vertical profiles (handles)



Fastening of carriages and guides to the front door



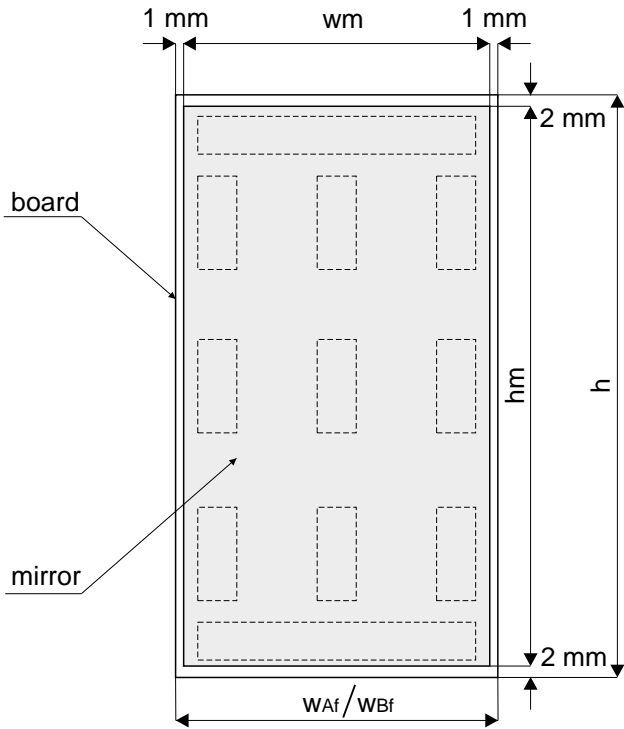
distance	door without vertical profiles		door with vertical profiles (handles)	
	door set A	door set B	door set A	door set B
x	58 mm	40 mm	51 mm	31 mm



Optionally, instead of stoppers, soft-closes **Optima** can be used (purchased separately)



Option with mirror (only available for front door wing) door set A and B



Broken line indicated recommended positioning of double-sided tape

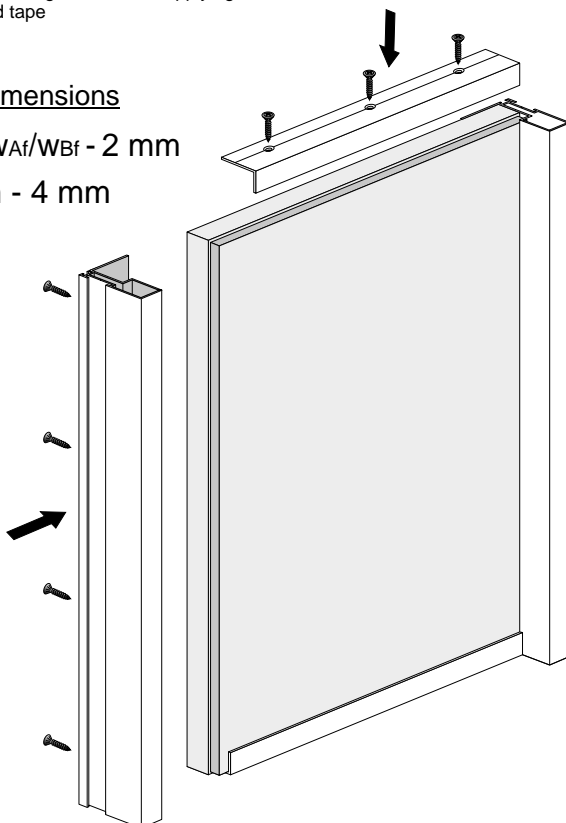
ATTENTION :

Board to mirror contact area should be free from dirt and grease before applying double-sided tape

mirror dimensions

$wm = WAf/WBf - 2 \text{ mm}$

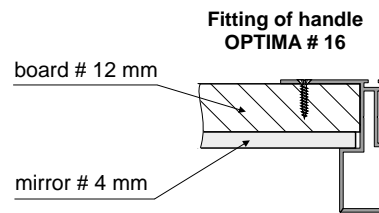
$hm = h - 4 \text{ mm}$



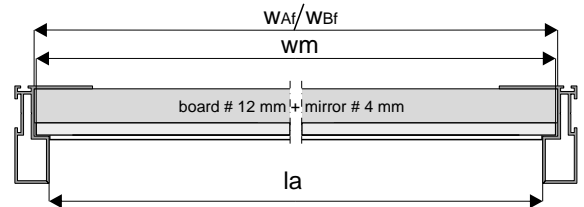
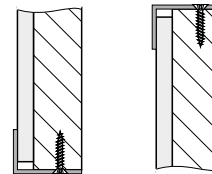
ATTENTION!

The usage of angle section requires the handle to be 3 mm longer than board size (protruding by: 1.5 mm - top, 1.5 mm - bottom)

Use angle section Mini



Fitting of angle section MINI

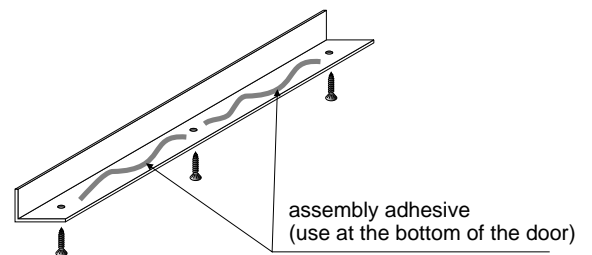


la - angle section Mini length

$la = WAf - 12 \text{ mm}$



for aesthetic reasons, the angle section length should be decided after handle fitting



ATTENTION!

Angle section must be fastened to board with a minimum of 3 screws ~ 3x25