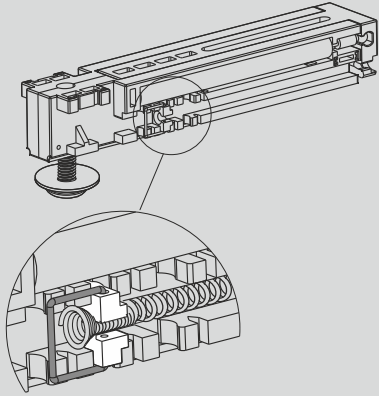


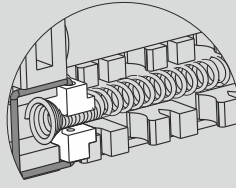


SOFT-CLOSE FOR SLIDING DOORS (TOP HUNG)

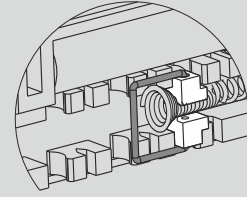
HERAKLES 40 kg or 80 kg



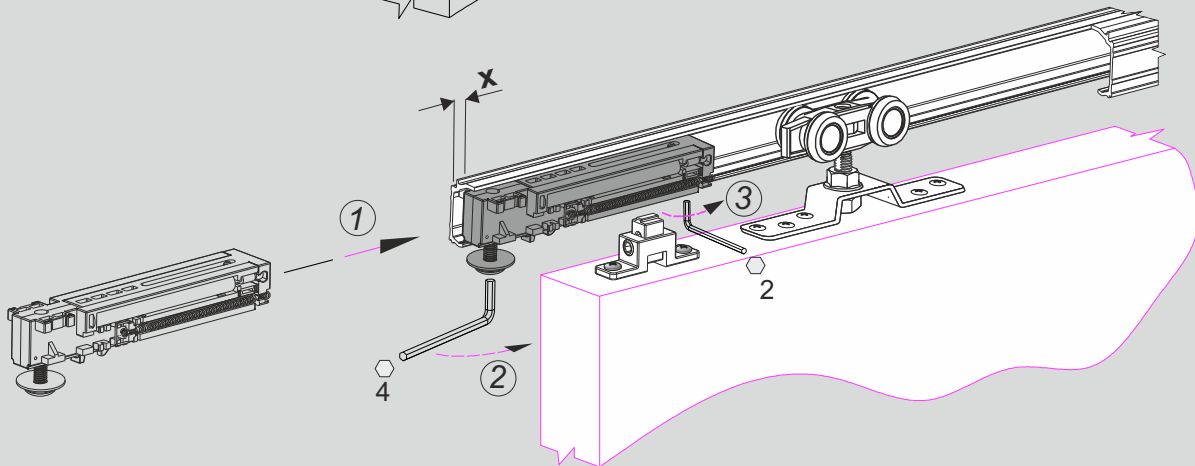
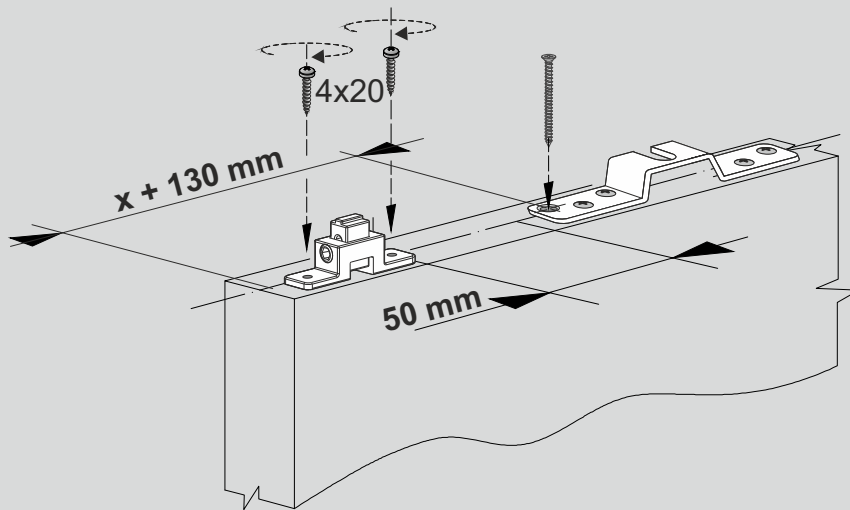
Regulation of the Herakles soft-closer



ATTENTION!
If the door soft-closes too slowly,
increase the tension
of the soft-close spring

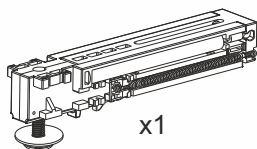


ATTENTION!
If the door soft-closes too quickly,
decrease the tension
of the soft-close spring



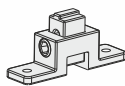
COMPONENTS

Soft-close for HERAKLES 40 kg or 80 kg top hung doors – set



x1

Soft-close Herakles 40 kg or 80 kg



x1

Herakles activator

Ø 4 x 20



x2



Allen key 4 mm



Allen key 2.5 mm



Allen key 2 mm



SOFT-CLOSE FOR SLIDING DOORS (TOP HUNG)

HERAKLES 40 kg or 80 kg

SEVROLL®

