

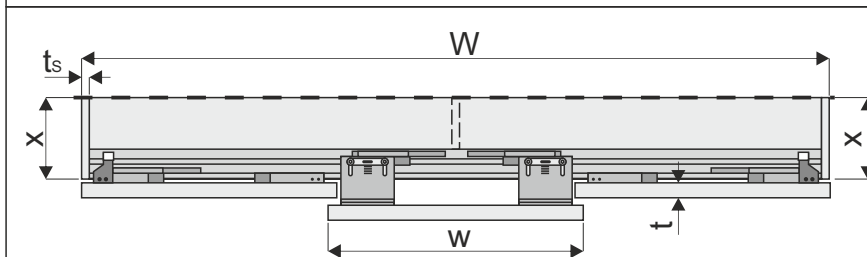
2 door wings

$w = (W : 2) + 10 \text{ mm}$

$x_1 = x + t + 8 \text{ mm}$

X, X_1 - depth of wardrobe side
 W - wardrobe width

w - door width
 t - door thickness
 t_s - side thickness



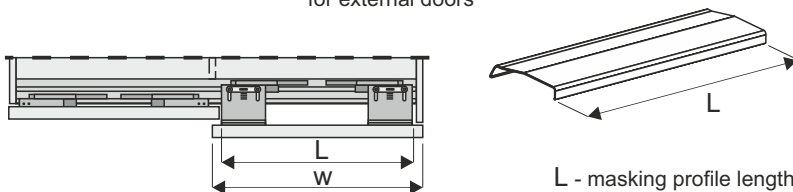
3 door wings

$w = (W : 3) + 10 \text{ mm}$

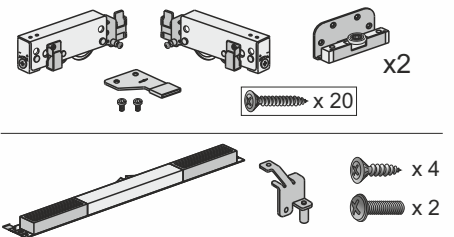
X - depth of wardrobe side
 W - wardrobe width

w - door width
 t - door thickness
 t_s - side thickness

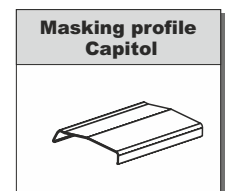
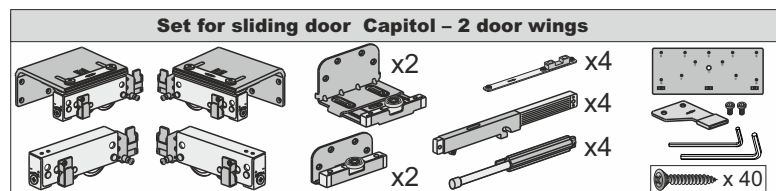
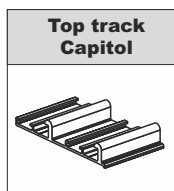
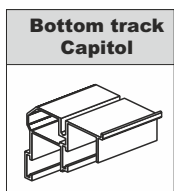
Masking profile Capitol for external doors



Set for Capitol - 1 central door



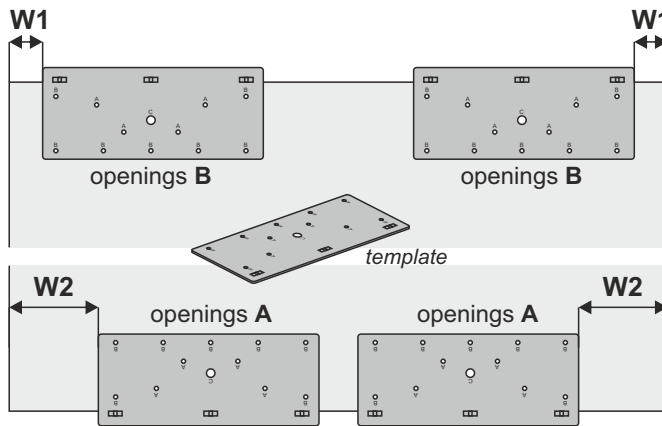
COMPONENTS





Carriage fastening

①
drill openings
using template



$$W1 = \text{min. } 25 \text{ mm} + t_s$$

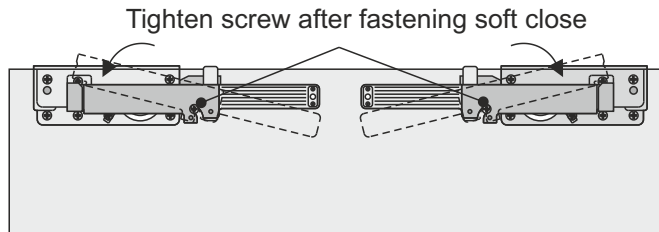
$$W2 = \text{min. } 100 \text{ mm} + t_s$$

(with lower bumper stoppers)

$$W2 = \text{min. } t_s$$

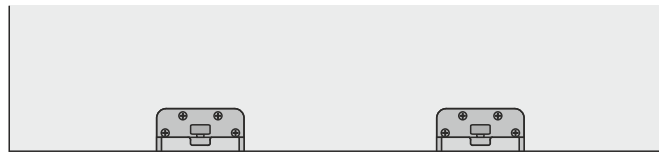
(without lower bumper stoppers)

②
fasten top carriages
and soft close
mechanisms

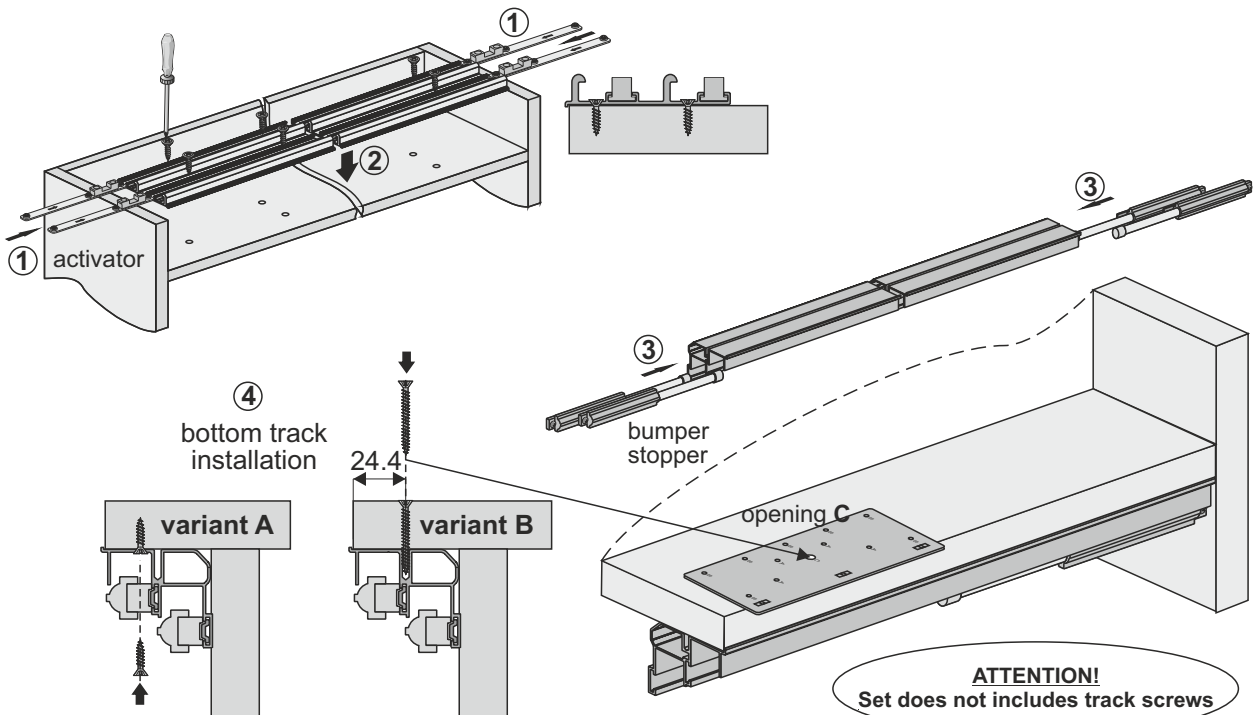


Tighten screw after fastening soft close

③
fasten bottom
carriages



Track installation

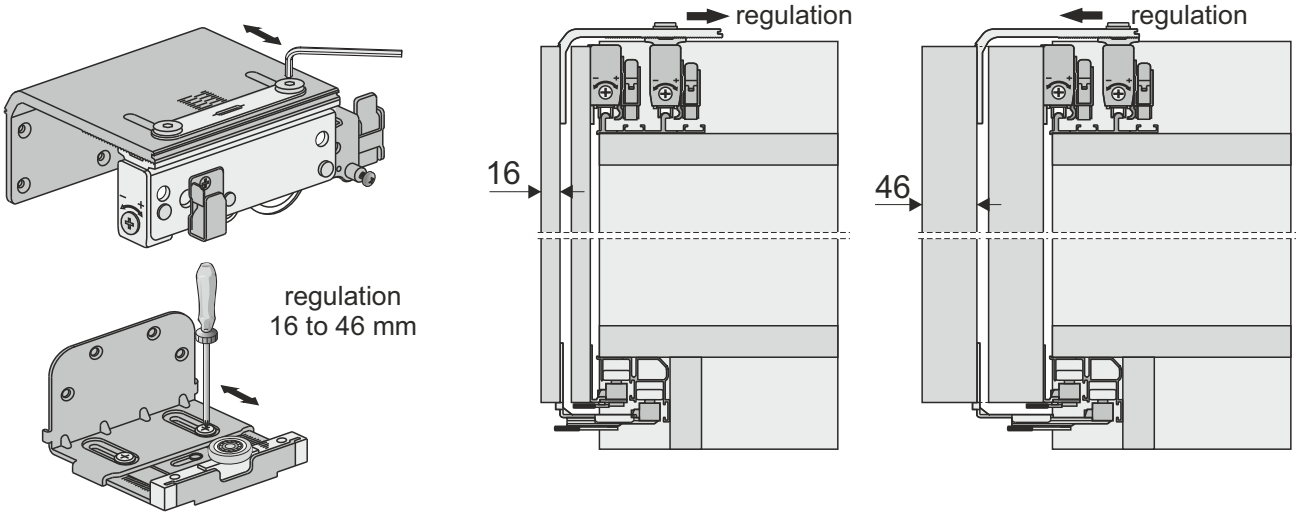


ATTENTION!
Set does not includes track screws

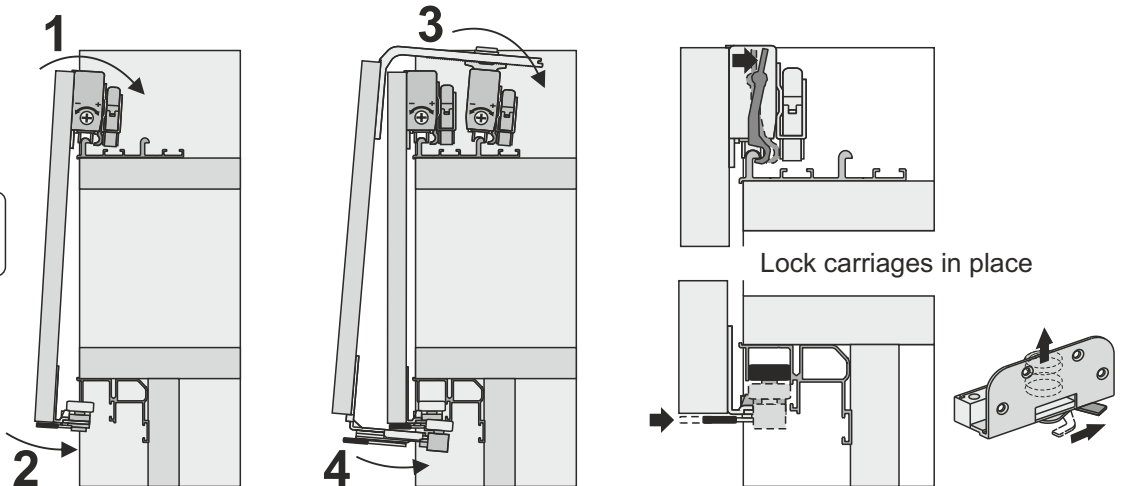


Door installation

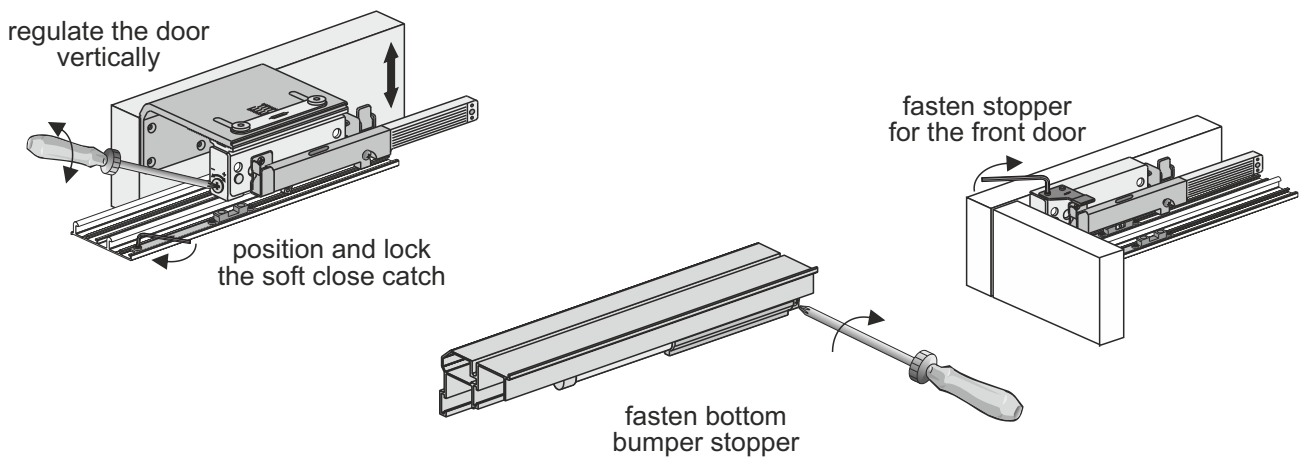
Depending on door thickness used, **prior to assembly**, the external guides need to be adjusted correctly



door assembly order

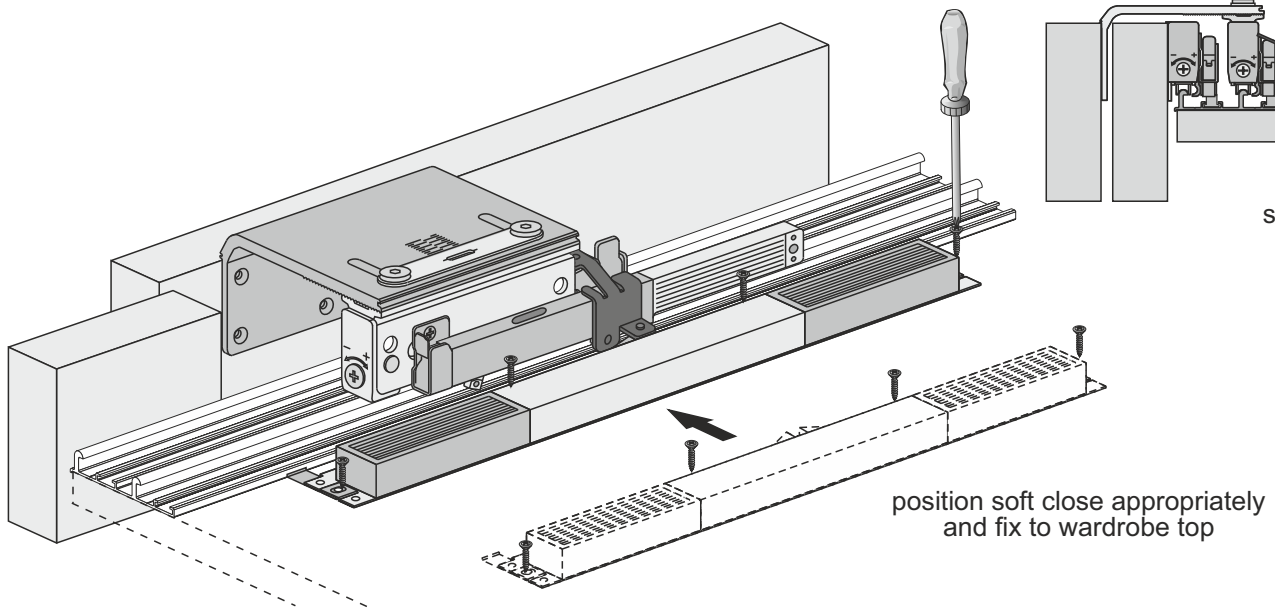
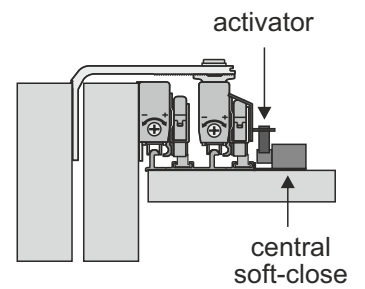
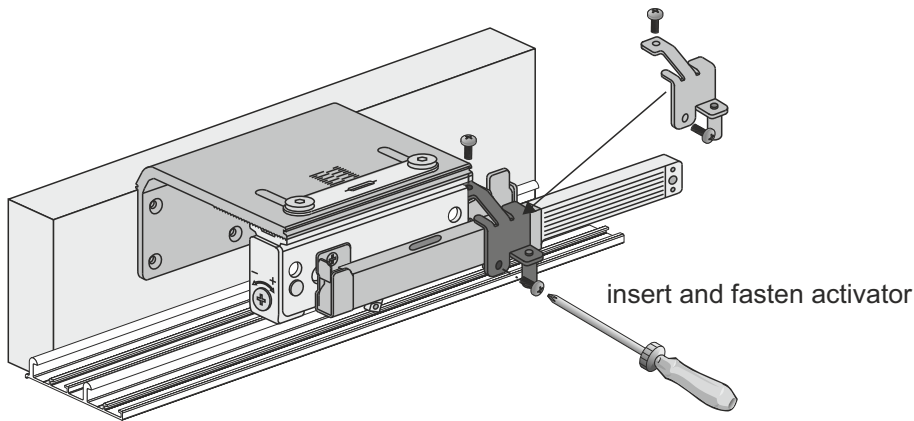
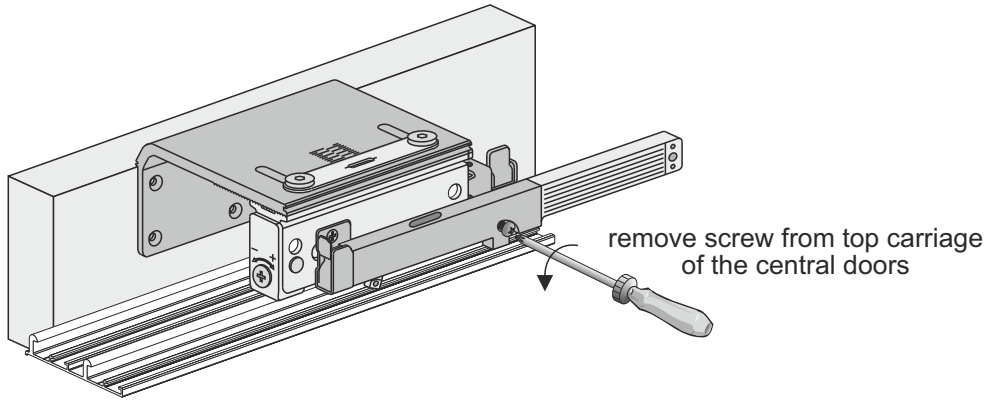
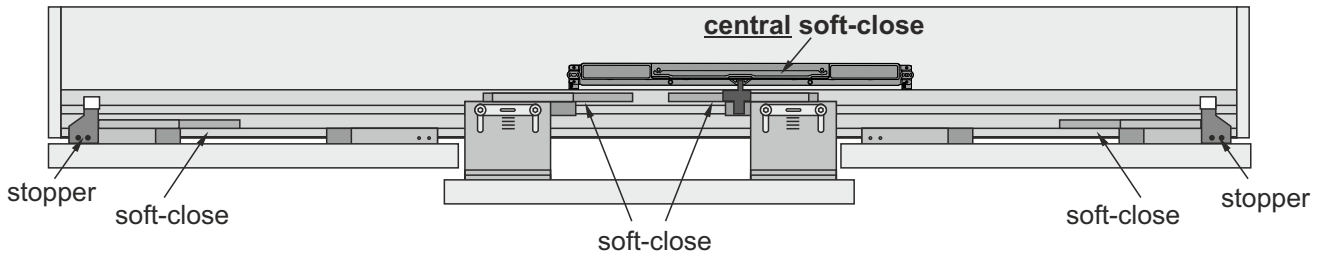


Adjustment





Set for three wings – assembly of central soft-close



ATTENTION! Remove protective film from aluminium elements (handles, tracks, connectors, etc.) prior to cutting them to the desired size. Film removal will reveal quality issues (eg. scratches)